

Contributed Review: Review of thermal methods for space charge measurement

A. Imburgia, P. Romano, M. Caruso, F. Viola, R. Miceli, E. Riva Sanseverino, A. Madonia, and G. Schettino

Citation: *Review of Scientific Instruments* **87**, 111501 (2016); doi: 10.1063/1.4968029

View online: <http://dx.doi.org/10.1063/1.4968029>

View Table of Contents: <http://scitation.aip.org/content/aip/journal/rsi/87/11?ver=pdfcov>

Published by the [AIP Publishing](#)

Articles you may be interested in

[Measurement of Space Charges in Dielectric Materials by Pulse Electro-acoustic Method after Irradiation by High-energy Electron Beam](#)

AIP Conf. Proc. **1087**, 665 (2009); 10.1063/1.3076883

[Numerical extraction of distributions of space-charge and polarization from laser intensity modulation method](#)

Appl. Phys. Lett. **86**, 071107 (2005); 10.1063/1.1865333

[Decay of space charge in conjugated polymers measured using pyroelectric current transients](#)

J. Appl. Phys. **93**, 2884 (2003); 10.1063/1.1539291

[Analysis of the scanning electron microscope mirror method for studying space charge in insulators](#)

J. Appl. Phys. **86**, 5961 (1999); 10.1063/1.371640

[Laser thermoacoustic modulation for space charge measurement](#)

Appl. Phys. Lett. **70**, 2236 (1997); 10.1063/1.118825



Lake Shore
CRYOTRONICS

Model 336
for precise low-temperature
measurement and control

[Learn more](#) 

The image shows a Lake Shore Model 336 Temperature Controller. The device is a white, rectangular unit with a control panel on the right side. The panel includes a digital display showing '5.2014' and '27.8645', and several buttons labeled 'A', 'B', 'C', 'D', 'SETPOINT', 'P', 'I', 'D', 'ALL ON', and 'OFF'. The Lake Shore logo is visible in the top left corner of the advertisement.

Contributed Review: Review of thermal methods for space charge measurement

A. Imburgia, P. Romano, M. Caruso, F. Viola, R. Miceli, E. Riva Sanseverino, A. Madonia, and G. Schettino

DEIM, University of Palermo, Palermo 90128, Italy

(Received 8 September 2016; accepted 4 November 2016; published online 28 November 2016)

The space charge accumulation phenomenon has garnered great interest over the last two decades because of the increased use of direct current in high voltage electrical systems. In this context, a significant relevance has been achieved by the thermal methods, used for solid dielectrics. This paper presents a review of this non-destructive measurement system used for the measurement of space charge. The thermal pulse method, the thermal step method, and the laser intensity modulation method are described. For each configuration, the principle of operation, the thicknesses analyzed, and the spatial resolution are described, reporting also the main related applications. *Published by AIP Publishing.* [<http://dx.doi.org/10.1063/1.4968029>]

I. INTRODUCTION

Dielectric materials used as insulation in electrical systems are affected by an electrical degradation, due to several factors.¹

Under AC stress, the partial discharges are the main cause of aging, especially when an air void is present inside the insulating material.^{2,3} Under DC stress, the most relevant aging factor is due at the space charge accumulation phenomenon.⁴ For instance, High Voltage Direct Current (HVDC) cables made of Cross-Linked PolyEthylene (XLPE) are affected by degradation due to the distortion of the electric field with respect to the Laplacian field (ideal case), causing strong local stresses.¹⁻⁴

Due to the relevance of the space charge because of its negative effects, over the last decade the methods for space charge measurement in the field of insulation system diagnostics have acquired great interest and have been widely studied and improved. Thus, in order to overcome the challenges related to this phenomenon, many research groups have been interested in the physics of this phenomenon both in the past years⁵⁻⁹ and in recent years.¹⁰⁻¹²

In particular, many nondestructive methods for the characterization of dielectrics materials from the viewpoint of space charge accumulation have been developed. These measurement systems can be classified into three main families: acoustic and thermal methods for measurements on solid dielectrics and optical methods for measurements also in liquid dielectrics.^{13,14}

This review provides an overview on the thermal methods, describing their working principle, their different configurations, their applications, the thicknesses analyzed, and the spatial resolution, with data updated to 2016. In addition, more details on the historical evolution of this method are provided, highlighting the technological challenges and taking into consideration the advantages of the different configurations of the measuring cell.

All the reviewed methods with the related characteristics are summarized in Figure 1.

II. THE THERMAL METHODS

This type of non-destructive measurement systems can be classified into three main categories:

- Thermal Pulse Method (TPM)
- Thermal Step Method (TSM)
- Laser Intensity Modulation Method (LIMM)

The main difference between these categories consists in the modality of application of the thermal gradient to the sample. More in detail, this gradient can either be a thermal pulse from a flash of light or a thermal step by using a thermal diffuser or a sinusoidal modulated heating by means of a laser beam.

In the TPM case, the output signal is a voltage response related to the charge and polarization distribution and to the temperature change. In the TSM and LIMM methods, instead, the output signal is a current response. In the first method, the current is connected to the electric field and to the thermal step. In the second method, this current is related to the temperature, material characteristics, and the space charge.¹⁴

These methods have in common a satisfactory value of spatial resolution, which can be further improved through greater accuracy in measurements over the surface and internal temperature of the sample.^{15,16} There are many works that revised the methods described above, such as Refs. 13, 14, and 17–21, but the comparison of some techniques is reported in Refs. 22–25. In a recent review article Singh²¹ also reports the main causes of error encountered in these methods.

A. The thermal pulse method

The TPM has been introduced in 1976 by Collins,^{26,27} and its principle of operation is represented in Figure 2. This method is based on a thermal pulse generated by a flash of light (8 μ s of duration), which acts on one of the double-metalized surfaces of the sample. A thermal transient is then generated over the sample, and an electrical signal carrying information on the space charge distribution inside the sample itself^{13,14} is taken as output.

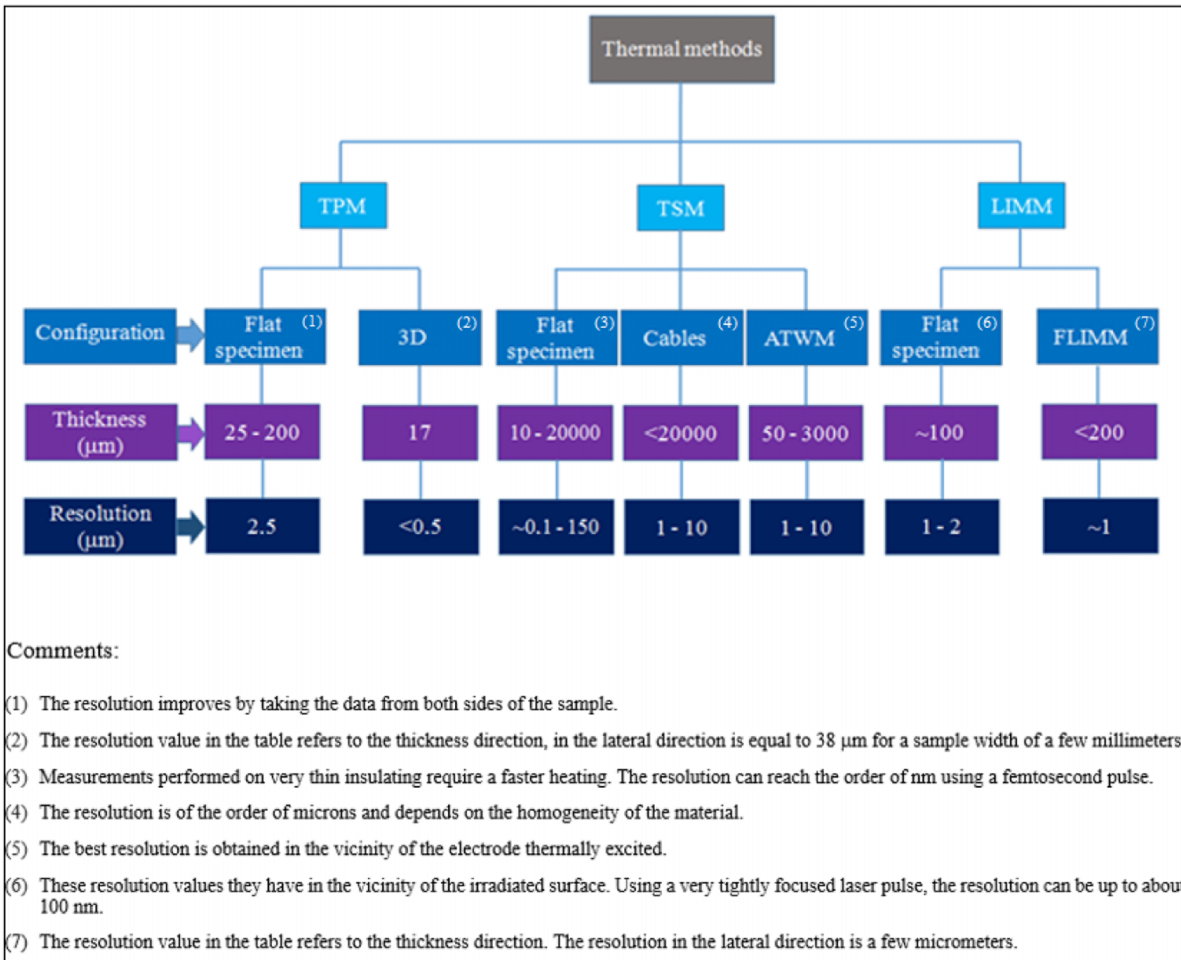


FIG. 1. Overview of the resolution value and thicknesses used in the different thermal techniques.

The system response $\Delta V(t)$ depends on the distribution of the space charge $\rho(x)$ and the polarization $P(x)$. In addition, as shown from Eq. (1), $\Delta V(t)$ depends also on the characteristic parameters of the insulating material, such as the coefficient of thermal expansion α_x , the dielectric constant ϵ_r , its temperature coefficient α_ϵ and, finally, the coefficient of permanent polarization α_p ,

$$\Delta V(t) = \frac{1}{\epsilon_r \epsilon_0} \int_0^d \left\{ \left[A\rho(x) - B \frac{dP(x)}{dx} \right] \int_0^x \Delta T(x') dx' \right\} dx, \tag{1}$$

where $A = \alpha_x - \alpha_\epsilon$, $B = \alpha_p - \alpha_x - \alpha_\epsilon$ and d is the sample thickness.

However, the TPM has not been widely used because of the difficult interpretation of the signal for the determination of the real distribution of space charge.

In order to solve this issue, several deconvolution techniques have been developed and presented in literature, from Collins²⁷ through Mopsik²⁸ and Zheng.²⁹

Over the years some improvements in terms of resolution were proposed by Von Seggern and DeReggi.³⁰⁻³³ In Ref. 34 the space charge distribution was measured in a silicon dioxide of 1 μm thickness by using a short laser pulse (70 ps). In Ref. 35 a metal-oxide-semiconductor (MOS) structure with thickness of several hundreds of nanometers was tested. The TPM has

been recently adapted by Mellinger and Aryal for both 2D³⁶ and 3D measurements.^{36,37}

B. The thermal step method

The thermal step method has been conceived in 1988 by Toureille,³⁸ and its principle of operation is based on the application of a thermal step to the ends of the related sample

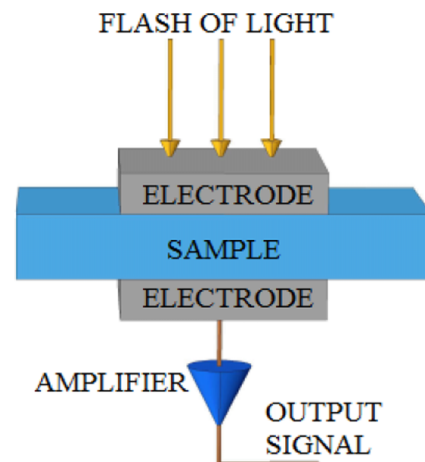


FIG. 2. Working principle of the TPM method.

in order to measure the current response due to the thermal expansion of the sample itself.

More in detail, a thermal diffuser provides a heat step, which creates a thermal wave. This wave will diffuse through the thickness of the dielectric, which determines either an expansion or a contraction of the material, a variation of the insulation permittivity and causing a temporary and reversible displacement of the space charge located within the sample. This displacement will be, then, reflected on the electrodes, determining a variation of the induced charge and, consequently, a current between the electrodes. The value of this current $I(t)$ read by a pico-ammeter (pA) is related to the distribution of both the electric field and the space charge.³⁹

This setup is called TSM in short-circuit condition, and the scheme is shown in Figure 3,^{14,17,40} while the expression of $I(t)$ is reported in the following equation:

$$I(t) = -\alpha C \int_0^d E(x) \frac{\partial \Delta T(x, t)}{\partial t} dx, \quad (2)$$

where $\alpha = \alpha_x - \alpha_\varepsilon$ (already described in Section II A), C is the capacitance of the sample before the application of the thermal step, d is the thickness of the sample, $E(x)$ is the electric field at the abscissa x , and ΔT the temperature step.

Once $E(x)$ and the dielectric constant of the material ε are known, from Poisson's equation

$$\rho = \varepsilon \frac{\partial E(x)}{\partial x}, \quad (3)$$

the distribution of the space charge can be determined.⁴¹ For this purpose, the adoption of the deconvolution technique is needed, e.g., the Fourier series. This process is accurately explained in Ref. 41 as well as two other techniques, named "process of successive derivatives" and "technique of the inverse matrix." The first method allows the reduction of the deconvolution calculation time, whereas the other one reduces not only the calculation time but also the related error.

Initially, the TSM has been applied for 2-20 mm insulation thicknesses with 150 μm of resolution.¹³ However, by means of a faster heating, thin insulations in the range of 10-100 μm with a resolution in the order of tenths of a micrometer can be investigated.⁶

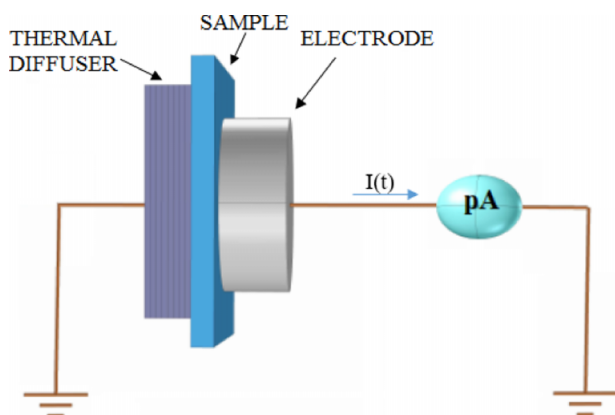


FIG. 3. Test setup of the TSM in short-circuit condition.

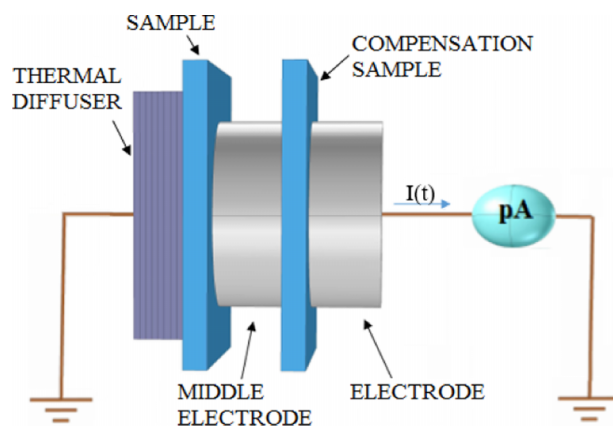


FIG. 4. Test setup of the TSM with double capacitor.

TSM can be also applied to the field of micro- and nano-electronics. However, this method can be destructive when the investigation concerns layers of material with thicknesses below micrometers, as described in Ref. 42. In order to overcome this problem, the thermal step technique is joined to the capacitance-voltage technique, which is accurately proposed in Refs. 42–44. More in particular, Dagher *et al.*⁴⁵ brought the resolution to values between 22 nm (in polymeric materials) and 50 nm (in silicon dioxide) by using an optical instrumentation with laser pulse of the order of femtoseconds. The signal to noise ratio was low, so the method needed further investigations.

An important work has been also carried out by Stancu *et al.*,⁴⁶ which analyses the space charge behavior in a low density polyethylene (LDPE) disks of 0.5 mm thickness, with and without water trees. Experimental results have shown that the presence of water trees increases the accumulation of the space charges.

The proposed method has several significant advantages with respect to other methods.^{14,40} This is due to the non-destructive nature of the TSM, which is achieved by choosing the value of the maximum temperature imposed by the thermal step equal to the ambient temperature.

A drawback of the proposed technique is related to the thermal contact between the radiator and the sample, which could cause, if imperfect, temperature fluctuations and, therefore, attenuation or delay of the current response. This issue has been mathematically analyzed in Ref. 17.

C. The thermal step method under applied DC field

In year 2000 Agnel *et al.* developed a work finalized to perform measurements under the application of a DC electric field.¹⁸

However, the scheme of Figure 3 was not completely suitable for the measurements under electric field, because of the use of the current amplifier, as better explained in Refs. 14 and 18.

To overcome this challenge, a compensation sample in front of the specimen was placed, obtaining the so called "double capacitor" configuration, which is represented in Figure 4.^{14,40}

In order to measure space charge distribution, the testing procedure requires two steps: first, the high voltage is applied

to the middle electrode, while the pA is short circuited. Second, the high voltage is disconnected in order to avoid the carriage of charges through the electrodes, compromising the correct measurement. The space charge can be assessed in the same manner described in Section II B. Further details are given in Refs. 14, 18, and 38.

In 2014, Laurentie *et al.* proposed the “contactless” configuration in order to measure both the space charge inside the dielectric and the surface charge. In this configuration the upper face of the specimen is isolated from the upper electrode through a thin layer of air, avoiding disturbances. The diagram and explanation of the method are provided in Ref. 47.

The spatial resolution, which decreases when the distance between the space charge inside the sample and the electrode in contact with the thermal diffuser increases, is comprised between 50 and 100 μm for a polyethylene terephthalate (PET) sample of thickness of 100 μm .⁴⁷

In order to evaluate the influence of the electric field gradient and temperature in the charges distribution, space charge profiles were carried out in 0.5 mm of a XLPE sample, under different DC electrical stress (from 2 to 60 kV/mm) and temperatures (from 70 to 90 °C). The obtained results have shown that the space charge accumulation grows with the increase of both electric field and temperature.⁴⁸

D. The thermal step method for cables

The thermal step method can also be applied to power cables by using two possible techniques.^{49,50}

- The Outer Cooling Technique (OCT)
- The Inner Heating Technique (IHT)

The principle of operation of both techniques does not differ from the method described in Section II B,⁵¹ in which the electrodes are now replaced by the core of cable and outer semicon, while the thermal diffuser is disposed around the cable under test.

The test setup is shown in Ref. 14, and the expression of the output signal $I(t)$ is similar to that of the flat sample configuration (Equation (2)), in which the integral one is extended to the inner and outer rays of the cable insulation, r_0 and r_i , respectively, as reported in the following equation:^{51,52}

$$I(t) = -\alpha C \int_{r_0}^{r_i} E(r) \frac{\partial \Delta T(r,t)}{\partial t} dr. \quad (4)$$

The work in Ref. 52 shows how to determine the electric field and the space charge profiles. In addition, the work in Ref. 53 demonstrates that the resolution of the method is in the order of millimeters and typically smaller than 20 mm.

As well as for the flat specimens discussed in Section II B, a similar experiment was done in order to evaluate the effect of water trees on space charge accumulation in 50 cm and 70 m long cable specimens.⁵⁴ The smaller sample has been tested by using the OCT (a thermal step of -30 °C), while the longer one was studied using IHT. The presence of water trees, as for flat specimens, results in a greater accumulation of charge for both samples.

The described method has been also developed for on-site applications, by using power DC/DC converters for the control of high currents circulating in the inductor wrapped on the cable.⁵⁵

The TSM has been applied by Mazzanti *et al.* to the cables during both pre-qualification and type tests.⁵⁶

The same article reports the most relevant problems related to this method. A relevant challenge for this method can be identified by the significant space occupied by the test setup, which is also composed by an additional cable (namely “compensation cable”), identical to the cable under measurement and connected to its terminals, in order to avoid the problems related to the current amplifier, as described in Section II C. Another problem consists in the test procedure, because before the space charges measurement the DC source must be disconnected, while the cold liquid must begin to flow. This fact involves longer times between two subsequent measurements, when compared to other techniques, such as the Pulsed Electro Acoustic (PEA) method.¹³

E. Alternative thermal wave method (ATWM)

The ATWM was developed by Reboul *et al.* in 2001 for measurements on thin dielectrics located in power capacitors.⁵⁷ The main difference between the TSM is that employed to have a better resolution using a thermal excitation over a long period of time rather than a single stimulus.⁵⁸ As a matter of fact, the thermal excitation brought by the radiating electrode does not give sufficient resolving power for the space charge measurement in thin dielectric films (due to a high number of information lost during the beginning of the transient current). The resolving power can be improved by using a long periodic thermal excitation.⁵⁹

With this method, a resolution of a few μm is obtained, and a wide range of thicknesses can be analyzed, from 50 μm up to 3 mm.

The ATWM is used in order to measure the space charge profiles, while another technique, called Thermal Stimulated Discharge Current (TSDC), can be used to study the injection, transport, and trapping of charges. By considering this aspect, in Ref. 59 these two techniques have been applied simultaneously in order to carry out a complete study of space charge behavior.

In 2011, the ATWM was improved in terms of accuracy by applying two simultaneous thermal waves in both surfaces of the specimen.⁶⁰

F. Laser intensity modulation method

The laser intensity modulation method was invented by Lang and Das-Gupta during the mid-1980s.^{61,62} Lang is also the author of a review article regarding the LIMM method,²⁰ with data updated to 2003.

The phenomenon of polarization is investigated in Ref. 20, in which the difficulties of the currently experimental data analysis that resides in this method are highlighted, due to an ill-posed problem with multiple solutions. The solution of this problem is reported in the same article through the introduction of the Polynomial Regularization Method, PRM. The space

charge phenomenon with the LIMM method is studied in Refs. 19, 43, and 63.

Generally, in the LIMM method the metalized surfaces of a specimen are heated by using a laser with modulated sinusoidal intensity in time, as shown in Figure 5. Thus, a non-uniform distribution of the temperature is produced along the thickness of the sample. The laser beam is absorbed by the electrode, and its sinusoidal modulation causes a sinusoidal fluctuation of the temperature in the electrode.

Consequently, a temperature wave is diffused within the sample and attenuated and delayed in phase. In this way, an unevenly distributed thermal force is displayed over the sample. Therefore, the interaction between this force and the space charge generates a sinusoidal pyroelectric current,¹⁴ which can be written by the following expression:

$$I(t) = \frac{S}{d} \int_0^x G(x) \frac{\partial \Delta T(x,t)}{\partial t} dx, \quad (5)$$

where S and d are the area and the thickness of the sample, respectively, T is the temperature, and $G(x)$ is the distribution function.

As well as for the methods described in Secs. II A–II E, several deconvolution techniques have been developed during the years, finalized to determine both the space charge and the polarization distributions.^{64,65}

This technique has been applied to many application fields, from measurements in the dielectric used in spatial applications^{66,67} to measurements of XLPE specimens,^{64,68,69} with a resolution between 1 and 2 μm .

G. Focused laser intensity modulation method

In order to carry out 3D measurements starting from the LIMM method, Marty-Dessus *et al.* developed the focused laser intensity modulation method, also named Focused LIMM (FLIMM).⁷⁰ The principle of operation has remained unchanged with respect to the LIMM technique. However, as

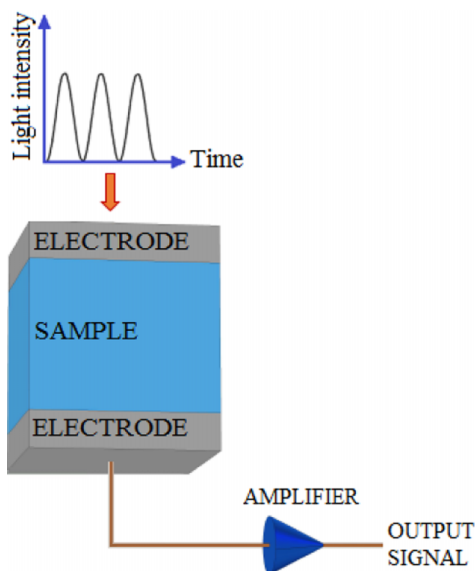


FIG. 5. Working principle of the LIMM method test setup.

shown in Figure 6, which schematically represents the test setup of this method, the three dimensional distributions of the space charge are obtained by moving the laser beam generated by the laser diode in the two directions z - y . The measure along the z -direction, which corresponds to the thickness direction, depends on the laser beam modulation frequency. The output current signal of the system, $I(f)$, is given by the following equation:

$$I(f) = \frac{A}{L} j 2\pi \cdot f \int_0^L k(x) T(x, f) dz, \quad (6)$$

where A is the cross-sectional area of laser beam, L is the specimen thickness, T is the temperature, and k is the generalized pyroelectric coefficient.

In Ref. 24 the proposed method was compared with the thermal pulse method (TPT) in order to determine the three-dimensional polarization distributions in poly(vinylidene fluoride-trifluoroethylene) (PVDF-TrFE) film. The carried out tests have shown that the TPT gives very good and fast results, while the FLIMM was characterized with a better lateral resolution.

In further works,^{71,72} the FLIMM technique was compared with the PEA method.⁷³

Furthermore, the works proposed in Refs. 74 and 75 put in evidence the relationship occurring between the space charge measured by the FLIMM technique and the induced mechanical deformation, which was measured with the DIC (Digital Images Correlation) technique.

The FLIMM technique was used for thicknesses up to μm and resolutions in the lateral direction and in the axial direction of few μm and about 1 μm , respectively.^{74,75} The range of these parameters was depending on both the amplitude of the laser beam and the mathematical method used.⁷⁰

Marty-Dessus and other researchers have recently modified the FLIMM method by creating an air gap between the upper measuring electrode and the related sample.⁷⁶ Their first

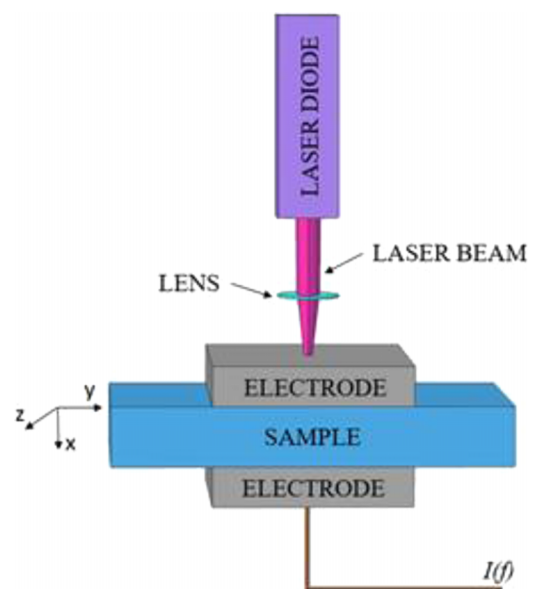


FIG. 6. Test setup of the FLIMM method.

experiment has involved the 2D and 3D cartography of the space charge carried out in polar PVDF (Polyvinylidene fluoride) and electron irradiated PTFE (Polytetrafluoroethylene) samples.

III. CONCLUSIONS

Space charge measurements have been highly attractive for many researchers. During the years, various non-destructive measuring methods have been developed, and, in particular, thermal methods have been widely used both to test flat specimen and full-size cables.

All the techniques discussed in this paper have the problem linked to the difficult interpretation of the output signal. For this purpose, a mathematical treatment of voltage or current carried out in the different methods was needed.

As regard to the applications, the most widely used method is the TSM, which is relatively suitable for cable specimens, in which the space charge distributions are carried out also with an applied DC field.

Finally, from a general scientific point of view, it is worthwhile to mention here that we found several methodological research approaches similar to those developed in the field of space charge phenomenon we had applied in different research activities.^{77–100}

¹A. Dissado and J. C. Fothergill, *Electrical Degradation and Breakdown in Polymers* (P. Peregrinus Press, London, UK, 1992).

²G. Ala, R. Candela, P. Romano, and F. Viola, "Simplified hybrid PD model in voids," in *IEEE International Symposium on Diagnostics for Electric Machines, Power Electronics & Drives (SDMPED)* (IEEE, Bologna, 2011), pp. 451–455.

³M. L. Di Silvestre, R. Miceli, P. Romano, and F. Viola, "Simplified hybrid PD model in voids: Pattern validation," in *Fourth International Conference on Power Engineering, Energy and Electrical Drives (POWERENG)* (IEEE, Istanbul, 2013), pp. 1807–1813.

⁴W. Choo and G. Chen, "Electric field determination in DC polymeric power cable in the presence of space charge," in *Annual Report–Conference on Electrical Insulation and Dielectric Phenomena, (CEIDP), October 2007* (IEEE, 2007), pp. 489–492.

⁵J. C. Fothergill and L. A. Dissado, *Space Charge in Solid Dielectrics* (Dielectrics Society, Charity, UK, 1998).

⁶G. M. Sessler, "Charge distribution and transport in polymers," *IEEE Trans. Dielectr. Electr. Insul.* **4**(5), 614–628 (1997).

⁷G. Mazzanti, G. C. Montanari, and L. A. Dissado, "A space-charge life model for ac electrical aging of polymers," *IEEE Trans. Dielectr. Electr. Insul.* **6**(6), 864–875 (1999).

⁸L. A. Dissado, "The origin and nature of 'charge packets': A short review," in *10th IEEE International Conference on Solid Dielectrics (ICSD), 4–9 July 2010* (IEEE, 2010), pp. 1–6.

⁹G. C. Montanari and P. H. F. Morshuis, "Space charge phenomenology in polymeric insulating materials," *IEEE Trans. Dielectr. Electr. Insul.* **12**(4), 754–767 (2005).

¹⁰P. Morshuis, A. Cavallini, D. Fabiani, G. C. Montanari, and C. Azcarraga, "Stress conditions in HVDC equipment and routes to in service failure," *IEEE Trans. Dielectr. Electr. Insul.* **22**(1), 81–91 (2015).

¹¹C. Laurent, G. Teyssedre, S. Le Roy, and F. Baudoin, "Charge dynamics and its energetic features in polymeric materials," *IEEE Trans. Dielectr. Electr. Insul.* **20**(2), 357–381 (2013).

¹²G. C. Montanari, "Notes on theoretical and practical aspects of polymeric insulation aging," *IEEE Electr. Insul. Mag.* **29**(4), 34–44 (2013).

¹³A. Imburgia, R. Miceli, E. Riva Sanseverino, P. Romano, and F. Viola, "Review of space charge measurement systems: Acoustic, thermal and optical methods," *IEEE Trans. Dielectr. Electr. Insul.* **23**(5), 3126–3142 (2016), available at <http://ieeexplore.ieee.org/document/7736878/>.

¹⁴G. Mazzanti and M. Marzino, "Space charge in HVDC extruded insulation: Storage, effect, and measurement methods," in *Extruded Cables*

for High Voltage Direct Current Transmission: Advances in Research and Development, Power Engineering Series (Wiley-IEEE Press, New York, USA, 2013), pp. 99–207.

¹⁵K. R. Bamberg and R. J. Fleming, "Space charge accumulation in two power cable grades of XLPE," *IEEE Trans. Dielectr. Electr. Insul.* **5**(1), 103–109 (1998).

¹⁶C. Filloy-Corbrion, C. Boue, E. Géron, T. Ditchi, J. Lucas, S. Hole, P. Notingher, S. Agnel, D. Marty-Dessus, L. Berquez, and G. Teyssedre, "Surface temperature measurement for space charge distribution measurements with thermal methods," *IEEE Trans. Dielectr. Electr. Insul.* **22**(3), 1506–1511 (2015).

¹⁷P. Notingher, S. Agnel, and A. Tourelle, "Thermal step method for space charge measurements under applied dc field," *IEEE Trans. Dielectr. Electr. Insul.* **8**(6), 985–994 (2001).

¹⁸S. Agnel, P. Notingher, and A. Tourelle, "Space charge measurements under applied DC field by the thermal step method," in *Annual Report Conference on Electrical Insulation and Dielectric Phenomena* (IEEE, 2000), Vol. 1, pp. 166–170.

¹⁹S. Bauer and S. Bauer-Gogonea, "Current practice in space charge and polarization profile measurements using thermal technique," *IEEE Trans. Dielectr. Electr. Insul.* **10**, 883–902 (2003).

²⁰S. S. Lang, "Laser intensity modulation method (LIMM): Review of the fundamentals and a new method for data analysis," *IEEE Trans. Dielectr. Electr. Insul.* **11**(1), 3–12 (2004).

²¹R. Singh, "A review of developments in thermal techniques for charge profile measurements in polymer electrets," *J. Electrostat.* **72**(4), 322–329 (2014).

²²S. Hole, "Resolution of direct space charge distribution measurement methods," *IEEE Trans. Dielectr. Electr. Insul.* **15**(3), 861–871 (2008).

²³S. Hole, T. Ditchi, and J. Lewiner, "Non-destructive methods for space charge distribution measurements: What are the differences?," *IEEE Trans. Dielectr. Electr. Insul.* **10**(4), 670–677 (2003).

²⁴C. Pham, A. Petre, L. Berquez, R. Flores-Suarez, A. Mellinger, W. Wirges, and R. Gerhard, "3D high-resolution mapping of polarization profiles in thin poly(vinylidene fluoride-trifluoroethylene) (PVDF-TrFE) films using two thermal techniques," *IEEE Trans. Dielectr. Electr. Insul.* **16**(3), 676–681 (2009).

²⁵A. Petre, D. Marty-Dessus, L. Berquez, J. L. Franceschi, S. Agnel, P. Notingher, J. Castellon, N. Didon, and A. Tourelle, "FLIMM and TSM: Two thermal methods for space charges investigation," in *Proceedings of the 2004 IEEE International Conference on Solid Dielectrics (ICSD)* (IEEE, 2004), Vol. 1, pp. 213–216.

²⁶R. E. Collins, "Analysis of spatial distribution of charges and dipoles in electrets by a transient heating technique," *J. Appl. Phys.* **47**, 4804–4808 (1976).

²⁷R. E. Collins, "Practical application of the thermal pulsing technique to the study of electrets," *J. Appl. Phys.* **51**, 2973–2986 (1980).

²⁸F. I. Mopsik and A. S. DeReggi, "Numerical evaluation on the dielectric polarization distribution from thermal pulse data," *J. Appl. Phys.* **53**(6), 4333–4339 (1982).

²⁹F. Zheng, Y. Zhang, Z. An, C. Liu, J. Dong, and C. Lin, "Thermal pulse method with an applied field," in *IEEE International Conference on Solid Dielectrics (ICSD)* (IEEE, 2013), pp. 427–430.

³⁰H. Von Seggern, J. E. West, and R. A. Kubli, "Determination of charge centroids in two side metalized electrets," *Rev. Sci. Instrum.* **55**(6), 964–967 (1984).

³¹H. Von Seggern, "Thermal pulse technique for determining charge distribution: Effect of measurement accuracy," *Appl. Phys. Lett.* **33**(2), 134–137 (1978).

³²A. S. DeReggi, C. M. Guttman, E. I. Mopsik, G. T. Davis, and M. G. Broadhurst, "Determination of charge or polarization distribution across polymer electrets by the thermal pulse method and Fourier analysis," *Phys. Rev. Lett.* **40**, 413416 (1978).

³³F. I. Mopsik and A. S. DeReggi, "The numerical analysis of the thermal pulse experiment," in *Conference on Electrical Insulation & Dielectric Phenomena - Annual Report 1980, Boston, MA, USA* (IEEE, 1980), pp. 251–259.

³⁴H. Amjadi, "Thermal-pulse investigation of thermally grown silicon dioxide electrets," in *9th International Symposium on Electrets (ISE 9)* (IEEE, Shanghai, 1996), pp. 259–264.

³⁵S. Baudon, P. Notingher, S. Agnel, and S. Holé, "Advances in electric charge measurements in semi-conducting structures by non-destructive thermal methods," in *IEEE Industry Applications Society Annual Meeting October 2014* (IEEE, 2014), pp. 1–7.

- ³⁶S. Aryal and A. Mellinger, "Resolution-enhanced polarization imaging with focused thermal pulses," *J. Appl. Phys.* **114**, 109–154 (2013).
- ³⁷A. Mellinger, R. Singh, M. Wegener, W. Wirges, R. F. Suarez, S. B. Lang, L. F. Santos, and R. Gerhardt-Multhaupt, "High-resolution three-dimensional space-charge and polarization mapping with thermal pulses," in *12th International Symposium on Electrets, ISE-12* (IEEE, 2005), pp. 212–215.
- ³⁸A. Toureille and J. P. Reboul, "The thermal-step-technique applied to the study of charge decay in polyethylene thermoelectrets," in *Proceedings of 6th International Symposium on Electrets (ISE 6)* (IEEE, 1988), pp. 23–27.
- ³⁹A. Toureille, P. Nottingher, N. Vella, S. Malrieu, J. Castellon, and S. Agnel, "The thermal step technique: An advanced method for studying the properties and testing the quality of polymers," *Polym. Int.* **46**(2), 81–92 (1998).
- ⁴⁰A. Cherifi, M. A. Dakka, and A. Toureille, "The validation of the thermal step method," *IEEE Trans. Electr. Insul.* **27**(6), 1152–1158 (1992).
- ⁴¹P. Nottingher, S. Agnel, and A. Toureille, "Recent advances in calculating space charge distribution by processing the signals obtained using the thermal step method," in *Annual Report, Conference on Electrical Insulation and Dielectric Phenomena* (IEEE, 1998), Vol. 1, pp. 154–157.
- ⁴²P. Nottingher, S. Holé, S. Baudon, O. Fuchier, L. Boyer, and S. Agnel, "Toward non destructive high resolution thermal methods for electric charge measurements in solid dielectrics and components," in (ESA) Electrostatics Joint Conference, Cambridge, June 2012.
- ⁴³R. J. Fleming, "Space charge profile measurement techniques: Recent advances and future directions," *IEEE Trans. Dielectr. Electr. Insul.* **12**(5), 967–978 (2005).
- ⁴⁴L. Boyer, O. Fruchier, P. Nottingher, S. Agnel, A. Toureille, B. Rousset, and J. Sanchez, "Analysis of data obtained using the thermal step method on a MOS structure—An electrostatic approach," in *IEEE Industry Applications Society Annual Meeting (IAS)* (IEEE, 2008), pp. 1–6.
- ⁴⁵G. Dagher, S. Holé, and J. Lewiner, "A preliminary study of space charge distribution measurements at nanometer spatial resolution," *IEEE Trans. Dielectr. Electr. Insul.* **13**, 1036–1041 (2006).
- ⁴⁶C. Stancu et al., "Electric field computation in water treed polyethylene with space charge accumulation," in *Conference Record of the 2006 IEEE International Symposium on Electrical Insulation* (IEEE, Toronto, Ontario, 2006), pp. 186–189.
- ⁴⁷J. Larentie, H. Yahyaoui, P. Nottingher, J. Castellon, and S. Agnel, "Contactless electric field and space charge measurement across solid dielectrics: A fully non-intrusive thermal technique," in *IEEE Industry Applications Society Annual Meeting* (IEEE, 2014), pp. 1–4.
- ⁴⁸A. Hascoat et al., "Study and analysis of conduction mechanisms and space charge accumulation phenomena under high applied DC electric field in XLPE for HVDC cable application," in *2014 IEEE Conference on Electrical Insulation and Dielectric Phenomena (CEIDP)* (IEEE, Des Moines, IA, 2014), pp. 530–533.
- ⁴⁹S. Agnel, P. Nottingher, A. Toureille, J. Castellon, and S. Malrieu, "Study of space charge dynamics directly on power cables using the thermal step method," in *Annual Report Conference on Electrical Insulation and Dielectric Phenomena* (IEEE, 1999), Vol. 1, pp. 50–53.
- ⁵⁰J. Castellon, P. Nottingher, S. Agnel, A. Toureille, F. Brame, P. Mirebeau, and J. Matallana, "Electric field and space charge measurements in thick power cable insulation," *IEEE Electr. Insul. Mag.* **25**(3), 30–42 (2009).
- ⁵¹J. Castellon, P. Nottingher, S. Agnel, A. Toureille, J. Matallana, H. Janah, P. Mirebeau, and D. Sy, "Industrial installation for voltage-on space measurements in HVDC cables," in *Industry Applications Conference, Fourtieth IAS Annual Meeting, Conference Record of the 2005* (IEEE, 2005), Vol. 2, pp. 1112–1118.
- ⁵²P. Nottingher, A. Toureille, S. Agnel, and J. Castellon, "Determination of electric field and space charge in the insulation of power cables with the thermal step method and a new mathematical processing," *IEEE Trans. Ind. Appl.* **45**(1), 67–74 (2009).
- ⁵³G. Platbrood, S. Agnel, A. Toureille, and P. Bulens, "Comparison of new cables and aged cables out of the grid by the Thermal Step Method," in *Annual Report Conference on Electrical Insulation and Dielectric Phenomena* (IEEE, 2002), pp. 396–399.
- ⁵⁴J. Castellon et al., "A new diagnosis of the XLPE insulation with water treeing by space charge measurements with the thermal step method and water nuclear magnetic resonance imaging," in *2005 Annual Report Conference on Electrical Insulation and Dielectric Phenomena, CEIDP '05* (IEEE, 2005), pp. 536–539.
- ⁵⁵A. Darkawi, P. Nottingher, T. Martire, J. Huselstein, and F. Forest, "Portable installation for space charge measurements on full-size high voltage cable loops based on a multicell power converter," in *Annual Report Conference on Electrical Insulation and Dielectric Phenomena (CEIDP)* (IEEE, 2012), pp. 499–502.
- ⁵⁶G. Mazzanti, G. Chen, J. C. Fothergill, N. Hozumi, J. Li, M. Marzinotto, F. Mauseth, P. Morshuis, C. Reed, A. Tzimas, and W. Kai, "A protocol for space charge measurements in full-size HVDC extruded cables," *IEEE Trans. Dielectr. Electr. Insul.* **22**(1), 21–34 (2015).
- ⁵⁷J. M. Reboul, A. Cherifi, and R. Carin, "A new method for space charge measurements in dielectric films for power capacitors," *IEEE Trans. Dielectr. Electr. Insul.* **8**(5), 753–759 (2001).
- ⁵⁸J. M. Reboul and F. Mady, "Space charge measurements by the alternating thermal wave method: Thermal analysis and simulations for data processing improvement," in *Proceedings of the 2004 IEEE International Conference on Solid Dielectrics (ICSD)* (IEEE, 2004), Vol. 1, pp. 256–259.
- ⁵⁹J. M. Reboul, F. Mady, M. Rouff, and R. Carin, "A new technique for a complete study of space charge," in *Proceedings of the 7th International Conference on Properties and Applications of Dielectric Materials* (IEEE, 2003), Vol. 2, pp. 514–517.
- ⁶⁰J. M. Reboul, "Thermal waves interferences for space charge measurements in dielectrics," in *14th International Symposium on Electrets (ISE)* (IEEE, 2011), pp. 63–64.
- ⁶¹S. B. Lang and D. K. Das-Gupta, "A technique for determining the polarization distribution in thin polymer electrets using periodic heating," *Ferroelectrics* **39**, 1249–1252 (1981).
- ⁶²S. B. Lang and D. K. Das Gupta, "A new technique for determination of the spatial distribution of polarization in polymer electrets," *Ferroelectrics* **60**, 23–36 (1984).
- ⁶³A. Petre, D. Marty-Dessus, L. Berquez, and J.-L. Franceschini, "A comparison of different mathematical treatments for solving the inverse problem in focused laser intensity modulation method," *Jpn. J. Appl. Phys., Part 1* **43**(5A), 2572 (2004).
- ⁶⁴T. Pawlowski, R. J. Fleming, and S. B. Lang, "LIMM study of space charge in crosslinked polyethylene," *IEEE Trans. Dielectr. Electr. Insul.* **13**(5), 1023–1029 (2006).
- ⁶⁵S. B. Lang and R. Fleming, "A comparison of three techniques for solving the Fredholm integral equation of the laser intensity modulation method (LIMM)," *IEEE Trans. Dielectr. Electr. Insul.* **16**(3), 809–814 (2009).
- ⁶⁶V. Griseri, S. Bouchareb, and L. Berquez, "Adaptation of the LIMM technique data treatment to perform measurements in vacuum," in *Annual Report Conference on Electrical Insulation and Dielectric Phenomena (CEIDP)* (IEEE, 2012), pp. 491–494.
- ⁶⁷S. Bouchareb, V. Griseri, and L. Berquez, "In situ space charge profile measurements on electronic irradiated material by LIMM," in *IEEE International Conference on Solid Dielectrics (ICSD)* (IEEE, 2013), pp. 776–779.
- ⁶⁸T. Pawlowski, S. B. Lang, and R. J. Fleming, "Space charge and polarization in crosslinked polyethylene," in *Annual Report Conference on Electrical Insulation and Dielectric Phenomena (CEIDP)* (IEEE, 2004), pp. 93–96.
- ⁶⁹R. J. Fleming, S. B. Lang, and T. Pawlowski, "Space charge in XLPE near the electrode interfaces," in *IEEE Conference on Electrical Insulation and Dielectric Phenomena* (IEEE, 2006), pp. 69–72.
- ⁷⁰D. Marty-Dessus, L. Berquez, A. Petre, M. Mousseigne, and J. L. Franceschi, "Three-dimensional cartography of space charge by FLIMM," in *Annual Report Conference on Electrical Insulation and Dielectric Phenomena* (IEEE, 2002), pp. 602–605.
- ⁷¹C. Pham, V. Griseri, and L. Berquez, "Space charge distribution detection by FLIMM and PEA method on electron beam irradiated dielectric films," in *IEEE Conference on Electrical Insulation and Dielectric Phenomena (CEIDP)* (IEEE, 2009), pp. 731–734.
- ⁷²V. Griseri, P. Malaval, L. Berquez, T. A. Tung, S. Le Roy, L. Boudou, and A. Boulanger, "Charge build-up and transport in electron beam irradiated polymers in a new irradiation chamber," in *Annual Report Conference on Electrical Insulation and Dielectric Phenomena (CEIDP)* (IEEE, 2010), pp. 1–4.
- ⁷³G. Ala, M. Caruso, V. Cecconi, S. Ganci, A. Imburgia, R. Miceli, P. Romano, and F. Viola, "Review of acoustic methods for space charge measurement," in *2015 AEIT International Annual Conference (AEIT)* (IEEE, Naples, Italy, 2015), pp. 1–6.

- ⁷⁴T. T. Anh, L. Berquez, L. Boudou, and J. Martinez-Vega, "Space charge and induced mechanical deformation cartographies by FLIMM and digital image correlation on electron irradiated PTFE thin film," in *14th International Symposium on Electrets (ISE)* (IEEE, 2011), pp. 39–40.
- ⁷⁵T. T. Anh, L. Berquez, L. Boudou, and J. Martinez-Vega, "Effect of trapped space charge on mechanical deformation induced by electric field," *IEEE Trans. Dielectr. Electr. Insul.* **18**(5), 1416–1422 (2011).
- ⁷⁶D. Marty-Dessus, A. C. Ziani, A. Petre, and L. Berquez, "Space charge distributions in insulating polymers: A new non-contacting way of measurement," *Rev. Sci. Instrum.* **86**(4), 043905 (2015).
- ⁷⁷E. Riva Sanseverino, T. Ngo Ngoc, M. Cardinale, V. Li Vigni, M. Musso, P. Romano, and F. Viola, "Dynamic programming and Munkres algorithm for optimal photovoltaic arrays reconfiguration," *Solar Energy* **122**, 347–358 (2015).
- ⁷⁸G. C. Giaconia, R. Miceli, V. Li Vigni, P. Di Buono, M. Pinto, V. Di Dio, D. La Manna, E. Riva Sanseverino, and P. Romano, "Proof of concept of an irradiance estimation system for reconfigurable photovoltaic arrays," *Energies* **7**, 6641–6657 (2015).
- ⁷⁹F. Viola, P. Romano, R. Miceli, C. Spataro, G. Schettino, and F. Fantò, "Economic benefits of the use of a PV plants reconfiguration systems," in *Proceedings of 4th International Conference on Renewable Energy Research and Application (ICRERA)* (IEEE, 2015).
- ⁸⁰F. Viola, P. Romano, R. Miceli, M. Longo, and D. Zaninelli, "Replacement of vehicle fleet with EVs using PV energy," *Int. J. Renewable Energy Research* **5**(4), 1146–1153 (2015).
- ⁸¹F. Viola, P. Romano, and R. Miceli, "Rainfall energy harvester," in *Innovative Materials and Systems for Energy Harvesting Applications, Hershey PA: Engineering Science Reference (an imprint of IGI Global)* (2015), pp. 116–142.
- ⁸²F. Viola, P. Romano, R. Miceli, and C. Spataro, "Performances of rainfall energy harvester," in *20th IMEKO TC4 Symposium on Measurements of Electrical Quantities: Research on Electrical and Electronic Measurement for the Economic Upturn, Together with 18th TC4 International Workshop on ADC and DCA Modeling and Testing, IWADC 2014* (IMEKO, 2014), pp. 467–472.
- ⁸³F. Viola, P. Romano, R. Miceli, G. Acciari, and C. Spataro, "Piezoelectric model of rainfall energy harvester," in *Proceedings of Ninth International Conference on Ecological Vehicles and Renewable Energies (EVER), Monaco, March 2014* (IEEE, 2014).
- ⁸⁴E. Riva Sanseverino, V. Di Dio, P. Romano, D. La Manna, and V. Li Vigni, "Reconfigurable electrical interconnection strategies for photovoltaic arrays: A review," *Renewable Sustainable Energy Rev.* **33**, 412–426 (2014).
- ⁸⁵P. Romano, R. Candela, M. Cardinale, V. Li Vigni, D. Musso, and E. Riva Sanseverino, "Optimization of photovoltaic energy production through an efficient switching matrix," *J. Sustainable Dev. Energy, Water Environ. Syst. (SDEWES)* **1**, 227–236 (2013).
- ⁸⁶F. Viola, P. Romano, R. Miceli, and G. Acciari, "On the harvest of rainfall energy by means of piezoelectric transducer," in *Proceedings of International Conference on Renewable Energy Research and Applications (ICRERA)* (IEEE, 2013), pp. 1133–1138.
- ⁸⁷F. Viola, P. Romano, R. Miceli, and G. Acciari, "Harvesting rainfall energy by means of piezoelectric transducer," in *Proceedings of International Conference on Clean Electrical Power* (IEEE, 2013), pp. 634–639.
- ⁸⁸V. Li Vigni, A. Madonia, E. Riva Sanseverino, P. Romano, and R. Candela, "Overcoming synchronization issues in wireless technology partial discharge measurement," in *International Conference on Environment and Electrical Engineering, EEEIC, Florence, Italy, June 2016* (IEEE, 2016).
- ⁸⁹A. Madonia, V. Li Vigni, E. Riva Sanseverino, P. Romano, F. Viola, and R. Candela, "Remote voltage synchronization for wireless partial discharge diagnostics," in *Proceedings of the IEEE International Conference on Dielectrics, ICD* (IEEE, 2016), Vol. 2, pp. 947–950.
- ⁹⁰F. Viola, P. Romano, and R. Miceli, "Finite-difference time-domain simulation of towers cascade under lightning surge conditions," in *IEEE Transactions On Industry Applications* (IEEE, 2015), Vol. 51, pp. 4917–4923.
- ⁹¹F. Viola, P. Romano, R. Miceli, M. Caruso, A. Imburgia, G. Schettino, and G. Sauba, "Finite-difference time-domain simulation of tower and grounding subjected to lightning," in *Proceedings of 37th International Telecommunications Energy Conference, Intelec, Osaka, Japan, October 2015* (IEEE, 2015).
- ⁹²R. Miceli, P. Romano, F. Viola, and A. Contin, "Performance of the shape of partial discharge signal wireless probes," in *IV International Conference on Power Engineering, Energy and Electrical Drives, POWERENG* (IEEE, 2013), pp. 1801–1806.
- ⁹³G. Ala, P. L. Buccheri, P. Romano, and F. Viola, "Finite difference time domain simulation of earth electrodes soil ionization under lightning surge condition," *IET Sci., Meas. Technol.* **2**(3), 134–145 (2008).
- ⁹⁴E. Riva Sanseverino, R. Candela, D. Musso, M. Cardinale, and P. Romano, "A dynamic electrical scheme for the optimal reconfiguration of PV modules under non-homogeneous solar irradiation," *Appl. Mech. Mater.* **197**, 768–777 (2012).
- ⁹⁵R. Candela, E. Romano, and P. Romano, "A combined CWT-DWT method using model-based design simulator for partial discharges online detection," in *2009 Conference on Electrical Insulation and Dielectric Phenomena (CEIDP)* (IEEE, 2009), pp. 429–432.
- ⁹⁶R. Candela and P. Romano, "An improved MSD-based method for PD pattern recognition," in *2007 IEEE Conference on Electrical Insulation and Dielectric Phenomena (CEIDP)* (IEEE, 2007), pp. 204–207.
- ⁹⁷R. Candela, V. Di Dio, E. Riva Sanseverino, and P. Romano, "Reconfiguration techniques of partial shaded PV systems for the maximization of electrical energy production," in *2007 International Conference on Clean Electrical Power (ICCEP)* (IEEE, 2007), 07EX1528, pp. 716–719.
- ⁹⁸F. Viola, P. Romano, R. Miceli, D. La Cascia, M. Longo, and G. Sauba, "Economic evaluation of ecological benefits of the demand side management," in *Proceedings of 3rd The International Conference on Renewable Energy Research and Applications (ICRERA)* (IEEE, 2014), pp. 995–1000.
- ⁹⁹F. Viola, P. Romano, R. Miceli, C. Spataro, and G. Schettino, "Survey on power increase of power by employment of PV reconfigurator," in *Proceedings of 4th International Conference on Renewable Energy Research and Application (ICRERA)* (IEEE, 2015), pp. 1665–1668.
- ¹⁰⁰P. Romano, F. Viola, R. Miceli, C. Spataro, B. D'Agostino, A. Imburgia, D. La Cascia, and M. Pinto, "Partial discharges on IGBT modules: Are sinusoidal waveforms sufficient to evaluate behavior?," in *2014 IEEE Conference on Electrical Insulation and Dielectric Phenomena (CEIDP)* (IEEE, 2014), pp. 224–227.